

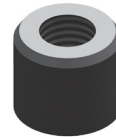
GOLD STANDS

CONTENTS:

A x 16



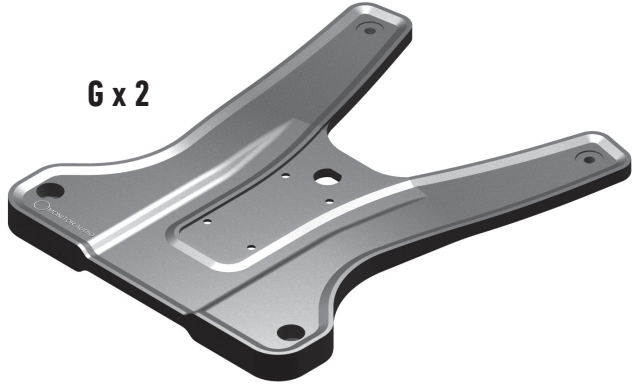
F x 8



B x 8



G x 2



C x 2



H x 8



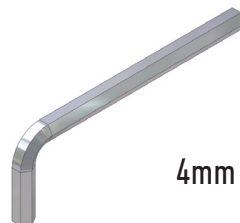
D x 2



I x 8



J x 1



4mm

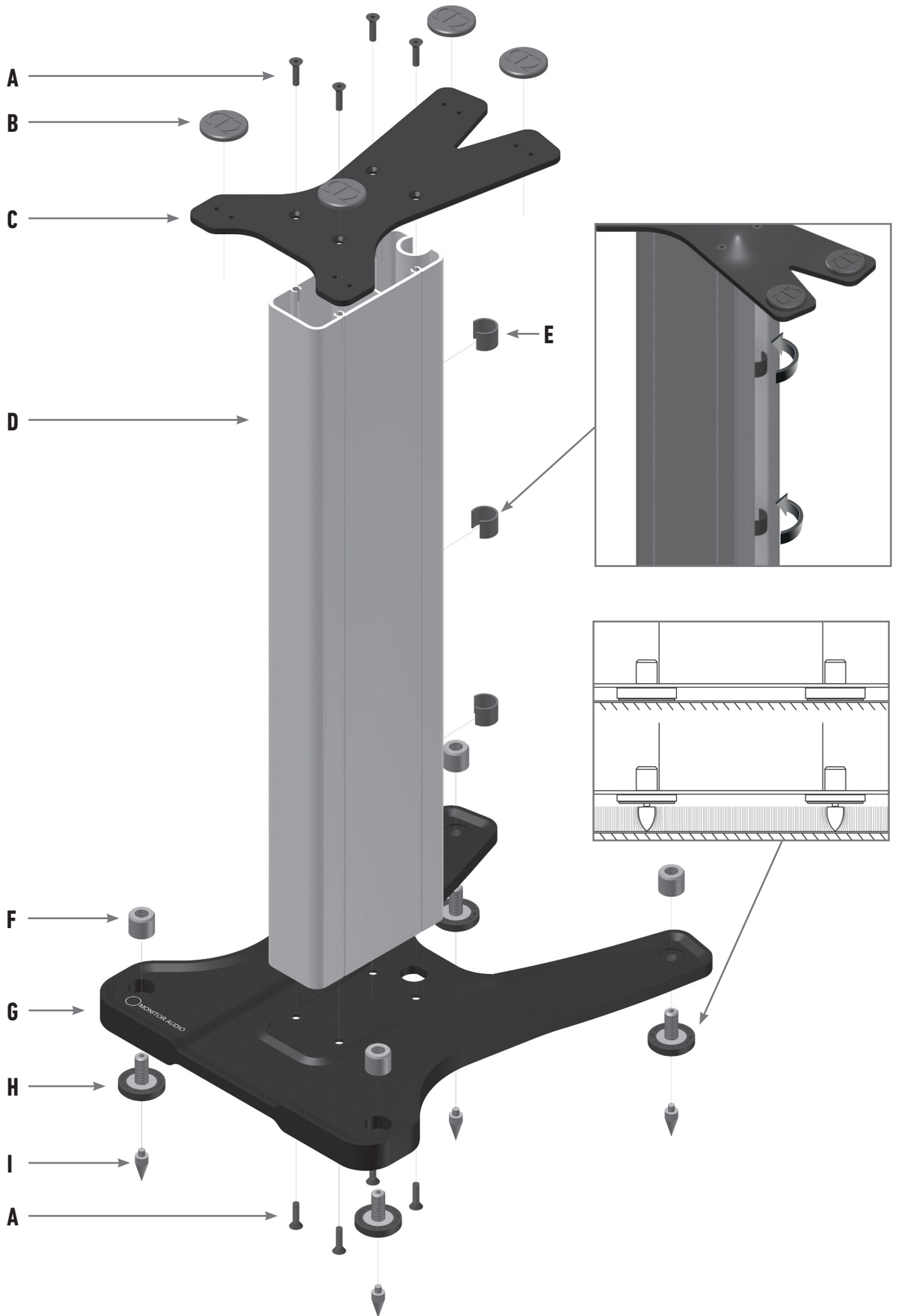
E x 6



K x 1



3mm



Monitor Audio Ltd.
 24 Brook Road
 Rayleigh, Essex
 SS6 7XJ, England
 Tel: +44 (0)1268 740580
 Fax: +44 (0)1268 740589
 Email: info@monitoraudio.co.uk
 Web: www.monitoraudio.com

Designed and Engineered
 in the United Kingdom.
 Made in China
 © Monitor Audio.
 Version 1 2014



Stand Dimensions: (H x W x D)
630 x 290 x 360mm (Ex feet)