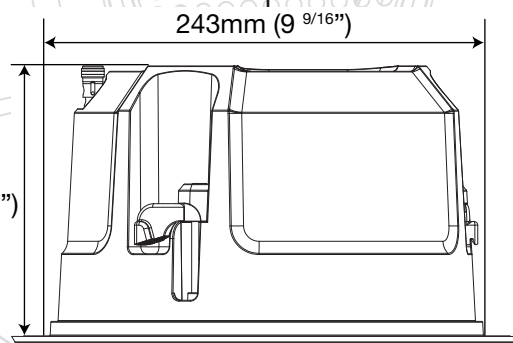




Controlled Performance series

Tri-Grip x 3
= 5Kgf/cm; 4.34 lbf/inch; 0.5 NM



CP CT260