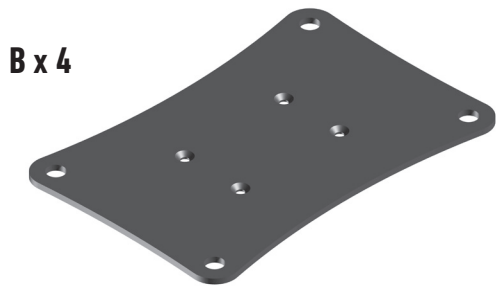
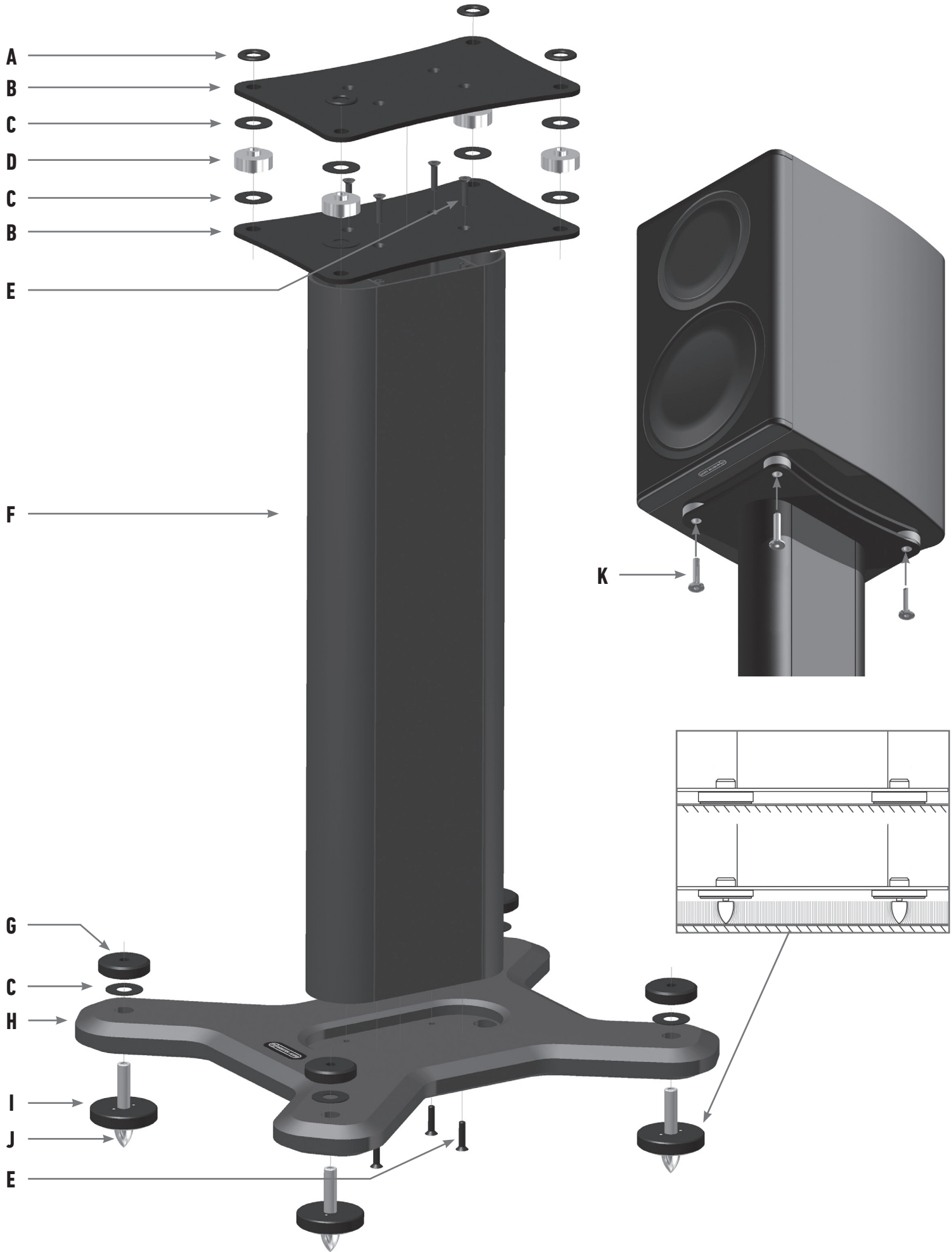


# PL100 STAND II

**CONTENTS:**





Monitor Audio Ltd.  
 24 Brook Road  
 Rayleigh, Essex  
 SS6 7XJ, England  
 Tel: +44 (0)1268 740580  
 Fax: +44 (0)1268 740589  
 Email: info@monitoraudio.co.uk  
 Web: www.monitoraudio.com

Designed and Engineered  
 in the United Kingdom.  
 Made in China  
 © Monitor Audio.

Version 1 2015



**Stand Dimensions: (H x W x D)**  
**615 x 380 x 407mm (Ex feet)**  
**652 x 380 x 407mm (Inc feet & Spikes)**