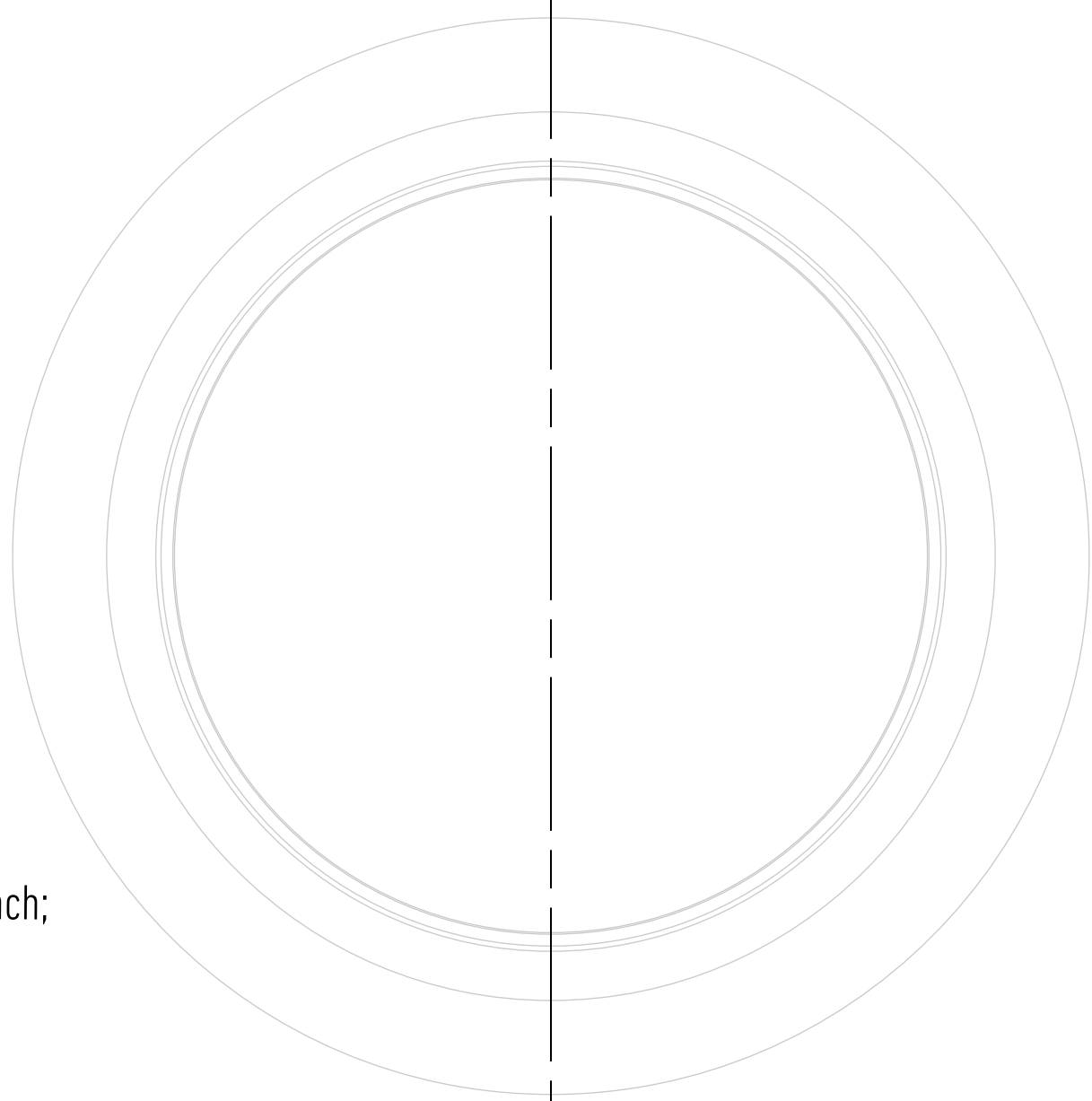
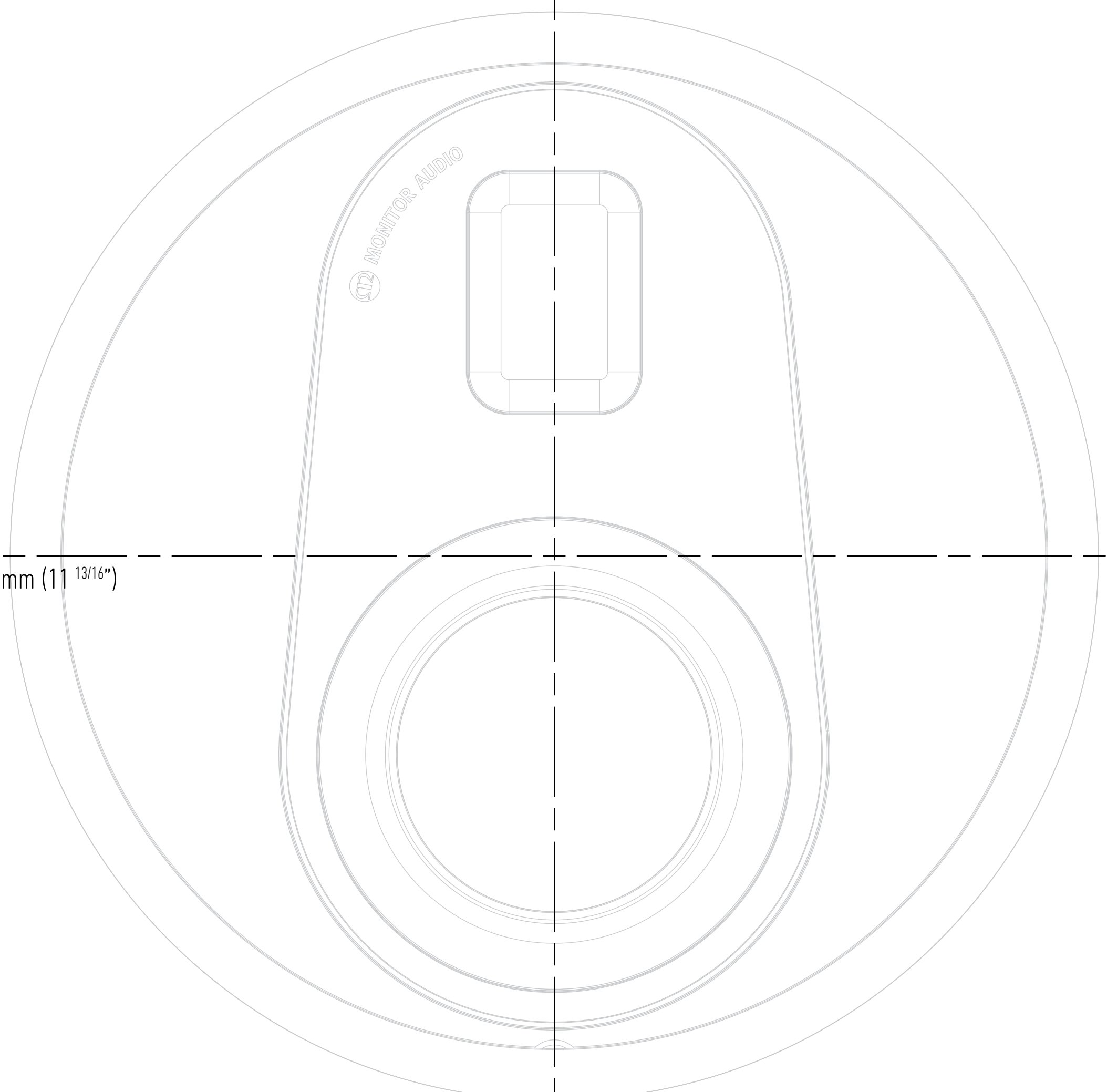


Ω MONITOR AUDIO

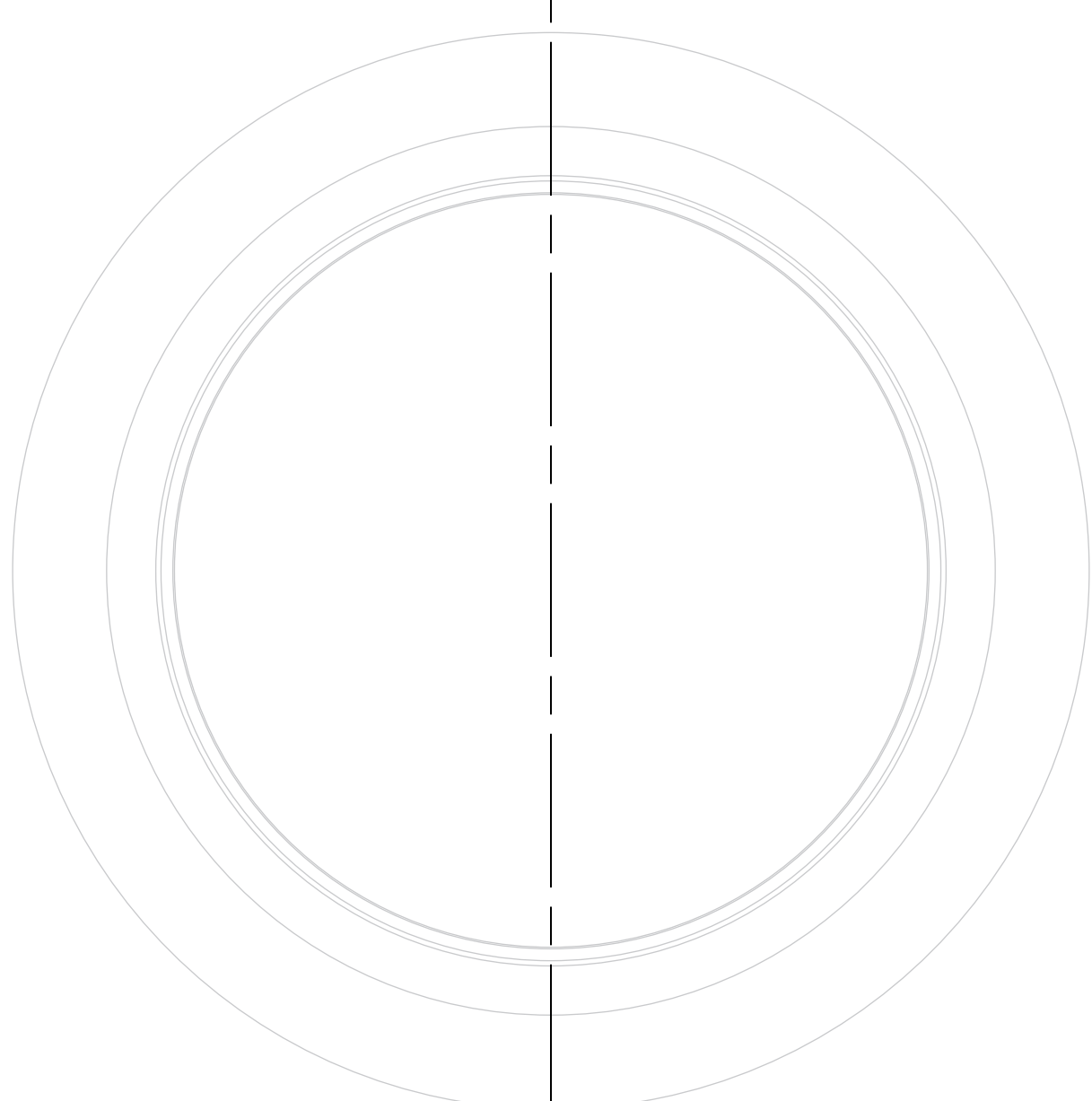
PL IN-WALL II



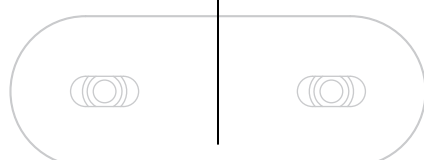
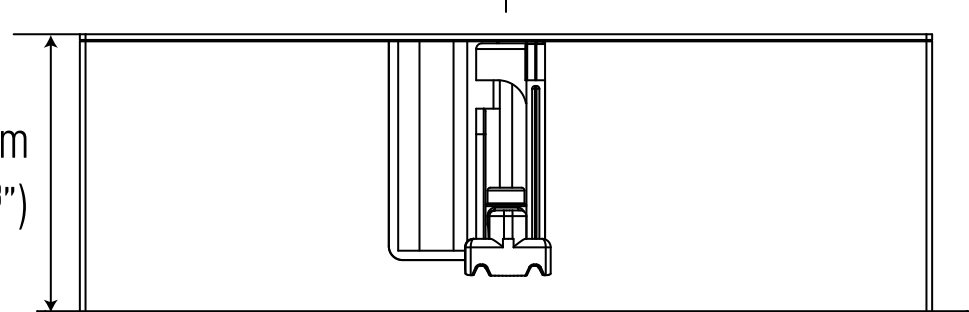
Tri-Grip x 10
= 5Kgf/cm; 4.34 lbf/inch;
0.5 NM



300mm (11 13/16")



98mm
(3 7/8")



1175mm (46 1/4")